



# PAGEANT



EXCLUSIVE  
TO UNITED BRITISH  
CARAVANS





## Everything you need to know about **PAGEANT**

Bailey of Bristol in partnership with United British Caravans is delighted to announce the arrival of the all-new Pageant, a touring caravan range that offers you the best-possible combination of comfort, practicality and value.

Exclusive to United British Caravans, the Pageant comes with a host of additional features that make your time away in these special caravans as relaxing and enjoyable as possible. Notably these include a Truma 100w solar panel, TRACKER PIR activated intruder alarm, an exterior BBQ point & 230v socket, bespoke soft furnishing & graphics schemes – plus much more, all included as standard specification.



**Model shown: Pageant Cavendish**

Bespoke caravan bedding sets to co-ordinate with caravan soft furnishings available as a cost option

As with all Bailey leisure vehicles, models are built using our patented Alu-Tech construction technology, cloaked in a GRP outer skin, making them more robust, more durable and yet lighter than those manufactured using conventional methods to offer greater protection against the elements to keep you comfortable, safe and secure all year round.

Available in a choice of seven different layouts, including one twin axle option, the new Pageant truly has something for everyone

Enjoy your holiday your way.

**YOUR HOLIDAY**  
*your way*



1. Truma gas BBQ point
2. Exterior 230v socket and 230v power inlet for mains hook-up
3. Truma 100 watt solar panel
4. Hartal GRP skin two-part large aperture door with window, waste bin and dustpan & brush
5. Thetford Caprice combined oven, grill and hob with electronic ignition and flame failure device
6. Drop-down kitchen worktop extension
7. TRACKER PIR activated intruder alarm
8. Bespoke Pageant entrance door mat
9. Bespoke Pageant graphics scheme
10. Bespoke Pageant soft furnishings
11. Swan-neck kitchen mixer tap
12. Remis pleated flyscreen and blinds to principal windows

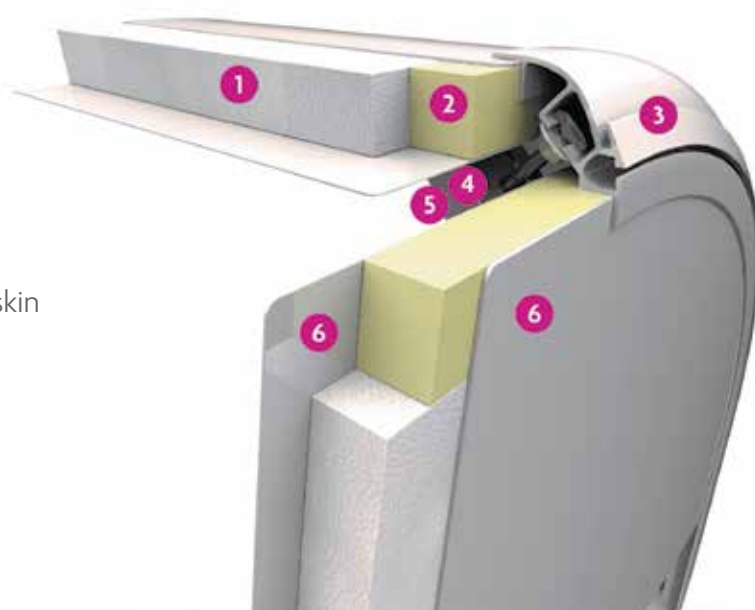


Alu-Tech is Bailey's patented construction system. Using an interlocking aluminium framework to clamp the body panels together, Bailey has created a shell that is much more robust and durable than anything that has come before.

To date, over 50,000 Bailey leisure vehicles have been built with this fully patented technology and are currently being used and enjoyed around the world.



1. Polystyrene core
2. Composite plastic extrusion
3. Alu-Tech rail
4. Structural fixing bracket
5. Alu-Tech rail insulation
6. GRP (glass reinforced plastic) outer and inner skin



**A 50,000** Alu-Tech

## How is Alu-Tech better?

### 1. Increased strength and durability...

giving you greater protection against the elements to keep you comfortable, safe and secure all year round.

### 2. Improved insulation...

keeping you warmer in the winter and cooler in the summer allowing you to holiday whenever and wherever you want.

### 3. Improved protection...

greater resistance to the elements increases the longevity of the vehicle and provides additional peace of mind to the owner.

### 4. Lighter bodyshell...

making Bailey caravans accessible to a wider range of tow vehicles and making it more economical to own.

### 5. Better balanced bodyshell...

makes the caravan inherently more stable enabling it to take even the most demanding journeys in its stride.

### 6. Cost neutral improvements...

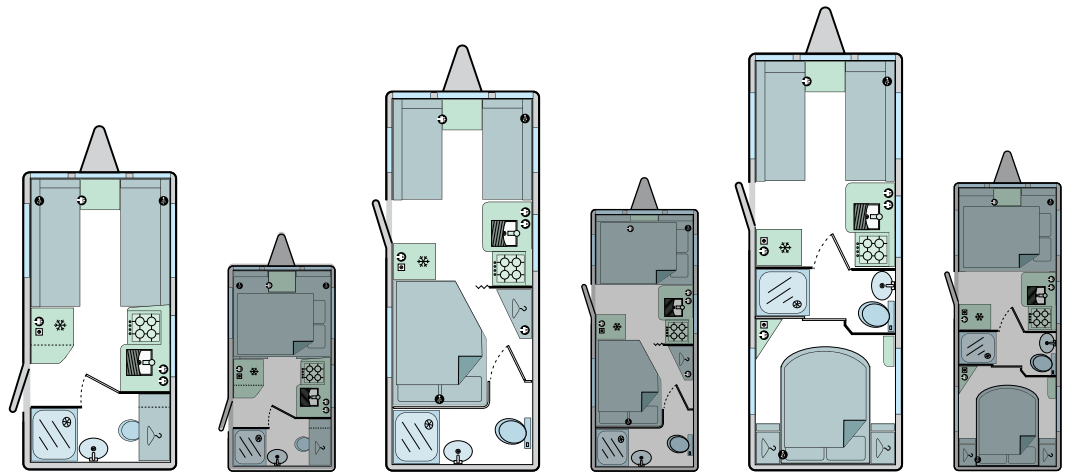
all of the benefits of Alu-Tech come at no extra cost to the customer.

# PAGEANT



AL-KO ATC Trailer Control is available on the Pageant as an optional extra .

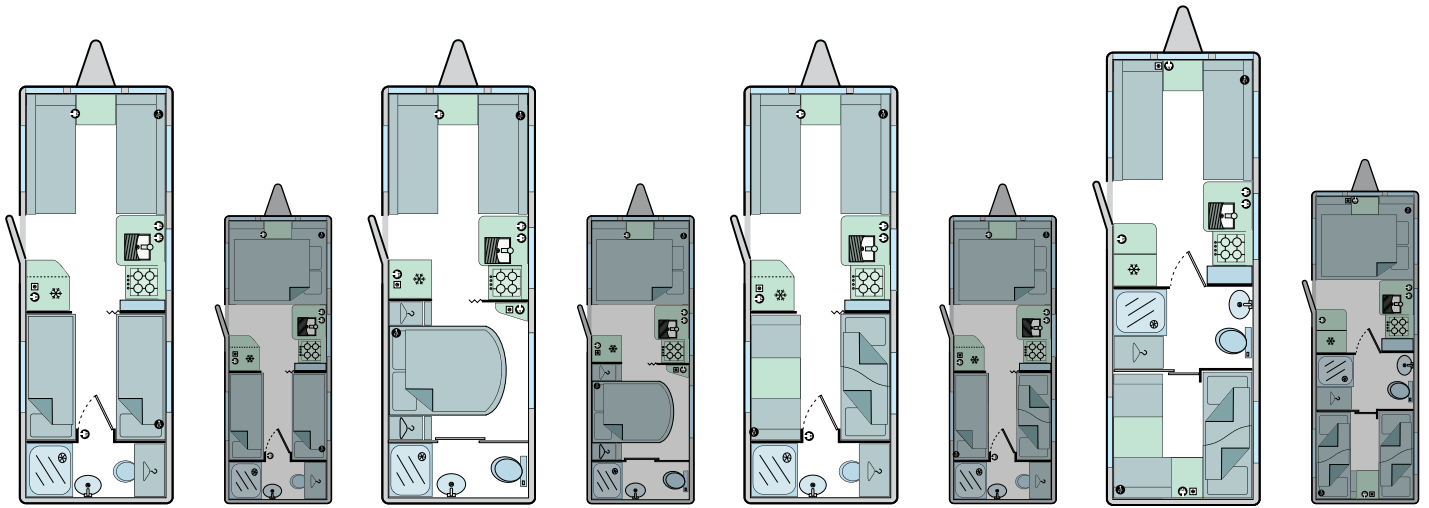
This will reduce your Total User Payload by 3kg



	Majestic	Calcot	Savoy
Berths	2	4	4
Internal Length	4.032m / 13'2"	5.351m / 17'7"	5.841m / 19'2"
Shipping Length	5.564m / 18'3"	6.882m / 22'7"	7.369m / 24'2"
Overall Width	2.212m / 7'3"	2.212m / 7'3"	2.212m / 7'3"
Overall Height	2.624m / 8'7"	2.624m / 8'7"	2.624m / 8'7"
Internal Headroom	1.960m / 6'5"	1.960m / 6'5"	1.960m / 6'5"
Awning Size	857cm	995cm	1035cm
Tyre Size	185/R14C LI104N	185/R14C LI104N	185/R14C LI104N
MTPLM	1161kg	1337kg	1404kg
MRO	1044kg	1187kg	1249kg
Total User Payload	117kg	150kg	155kg

Bed Sizes			
Front Double	6'2" x 4'9"	6'2" x 3'7"	6'2" x 4'7"
Front N/S Single	6'1" x 2'1"	4'11" x 2'1"	5'11" x 2'1"
Front O/S Single	6'1" x 2'1"	4'11" x 2'1"	5'11" x 2'1"
Rear N/S Single	-	-	-
Rear N/S Overhead Single	-	-	-
Rear N/S Fixed Single	-	-	-
Rear O/S Fixed Bunks	-	-	-
Rear O/S Fixed Single	-	-	-
Rear Fixed Double	-	6'3" x 4'4"	6'2" x 4'6"

A tolerance in the MRO has been allowed for in the calculations of Payload Margins. The awning length measurement shown is to be interpreted as a guide only and an enquiry should be made to individual awning manufacturers as to the correct size.



Champagne	Cavendish	Mulberry	Holbeck (Twin axle)
4	4	5	6
5.841m / 19'2"	5.841m / 19'2"	5.841m / 19'2"	6.334m / 20'9"
7.369m / 24'2"	7.369m / 24'2"	7.369m / 24'2"	7.863m / 25'10"
2.212m / 7'3"	2.212m / 7'3"	2.212m / 7'3"	2.212m / 7'3"
2.624m / 8'7"	2.624m / 8'7"	2.624m / 8'7"	2.624m / 8'7"
1.960m / 6'5"	1.960m / 6'5"	1.960m / 6'5"	1.960m / 6'5"
1035cm	1035cm	1035cm	1079cm
185/R14C LI104N	185/R14C LI104N	185/R14C LI104N	185/65 R14 LI93N
1403kg	1396kg	1409kg	1627kg
1248kg	1241kg	1244kg	1447kg
155kg	155kg	165kg	180kg
6'2" x 4'7"	6'2" x 4'7"	6'2" x 4'7"	6'2" x 4'9"
5'11" x 2'1"	5'11" x 2'1"	5'11" x 2'1"	6'1" x 2'1"
5'11" x 2'1"	5'11" x 2'1"	5'11" x 2'1"	6'1" x 2'1"
-	-	6'2" x 2'3"	5'10" x 2'3"
-	-	-	5'7" x 2'0"
6'2" x 2'2"	-	-	-
-	-	6'1" x 2'2"	6'1" x 2'2"
6'2" x 2'2"	-	-	-
-	6'2" x 4'6"	-	-

Visit [www.baileyofbristol.co.uk](http://www.baileyofbristol.co.uk) for equivalent Phoenix metric bed sizes (bed sizes are measured at the widest point of the bed).



## About United British Caravans

United British Caravans is the second oldest caravan retailer in England and has been around since 1938.

The business has evolved over time and in recent years the leisure shop has had a complete makeover now offering an even bigger selection of caravan and camping accessories. There are also a wide variety of spare parts available and a comprehensive range of caravan awnings.

For the 2020 season UBC are happy to complete the Bailey range by offering the Bailey Pageant range of caravans. These are exclusive to United British Caravans and are based on the Phoenix range but with added extras including Solar Panel, Alarm, External gas BBQ & 240v socket, exclusive Pageant soft furnishings and graphics, plus more.

## CONTACT US

**United British Caravans**  
Sandy Lane  
North Gosforth  
Newcastle  
Tyne & Wear  
NE3 5HE

**Tel:** 0191 2363156

**Email:** [info@ub-c.co.uk](mailto:info@ub-c.co.uk)

**Website:** [www.unitedbritishcaravans.co.uk](http://www.unitedbritishcaravans.co.uk)

