

RaymondJames

The One Stop Caravan Shop



PANTHER



EXCLUSIVE
TO RAYMOND JAMES





Everything you need to know about **PANTHER**

Bailey of Bristol in partnership with Raymond James is delighted to announce the arrival of the all-new Panther, a touring caravan range that offers you the best possible combination of comfort, practicality and value.

Exclusive to Raymond James, the Panther comes with a host of additional features that make your time away in these special caravans as relaxing and enjoyable as possible. Notably these include a Truma 100w solar panel, TRACKER PIR activated intruder alarm, an exterior BBQ point & 230v socket, bespoke soft furnishing & graphics schemes – plus much more, all included as standard specification.



Model shown: Panther 642

Bespoke caravan bedding sets to co-ordinate with caravan soft furnishings available as a cost option

As with all Bailey leisure vehicles, models are built using our patented Alu-Tech construction technology, cloaked in a GRP outer skin, making them more robust, more durable and yet lighter than those manufactured using conventional methods to offer greater protection against the elements to keep you comfortable, safe and secure all year round.

Available in a choice of seven different layouts, including one twin axle option, the new Panther truly has something for everyone

Enjoy your holiday your way.

YOUR HOLIDAY
your way



1. Truma gas BBQ point
2. Exterior 230v socket and 230v power inlet for mains hook-up
3. Truma 100 watt solar panel
4. Hartal GRP skin two-part large aperture door with window, waste bin and dustpan & brush
5. Thetford Caprice combined oven, grill and hob with electronic ignition and flame failure device
6. Drop-down kitchen worktop extension
7. TRACKER PIR activated intruder alarm
8. Bespoke Panther entrance door mat
9. Bespoke Panther graphics scheme
10. Bespoke Panther soft furnishings
11. Swan-neck kitchen mixer tap
12. Remis pleated flyscreen and blinds to principal windows

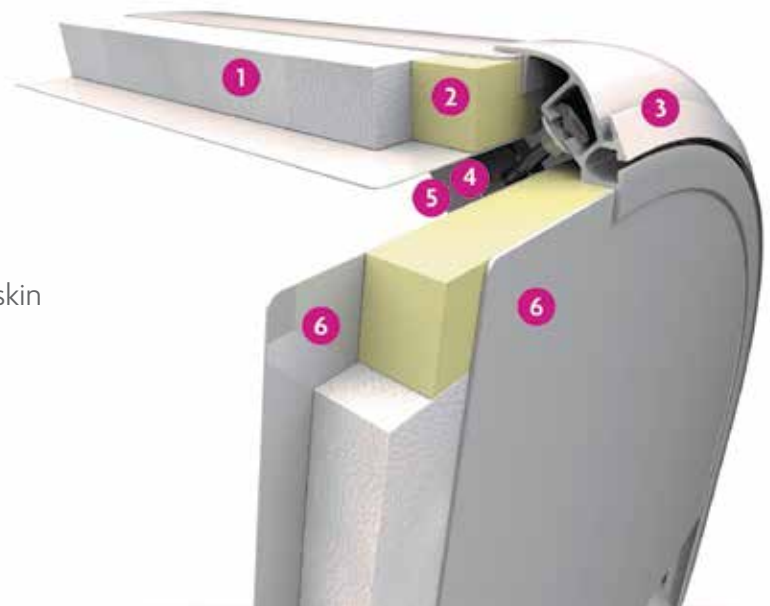


Alu-Tech is Bailey's patented construction system. Using an interlocking aluminium framework to clamp the body panels together, Bailey has created a shell that is much more robust and durable than anything that has come before.

To date, over 50,000 Bailey leisure vehicles have been built with this fully patented technology and are currently being used and enjoyed around the world.



1. Polystyrene core
2. Composite plastic extrusion
3. Alu-Tech rail
4. Structural fixing bracket
5. Alu-Tech rail insulation
6. GRP (glass reinforced plastic) outer and inner skin



How is Alu-Tech better?

1. Increased strength and durability...

giving you greater protection against the elements to keep you comfortable, safe and secure all year round.

2. Improved insulation...

keeping you warmer in the winter and cooler in the summer allowing you to holiday whenever and wherever you want.

3. Improved protection...

greater resistance to the elements increases the longevity of the vehicle and provides additional peace of mind to the owner.

4. Lighter bodyshell...

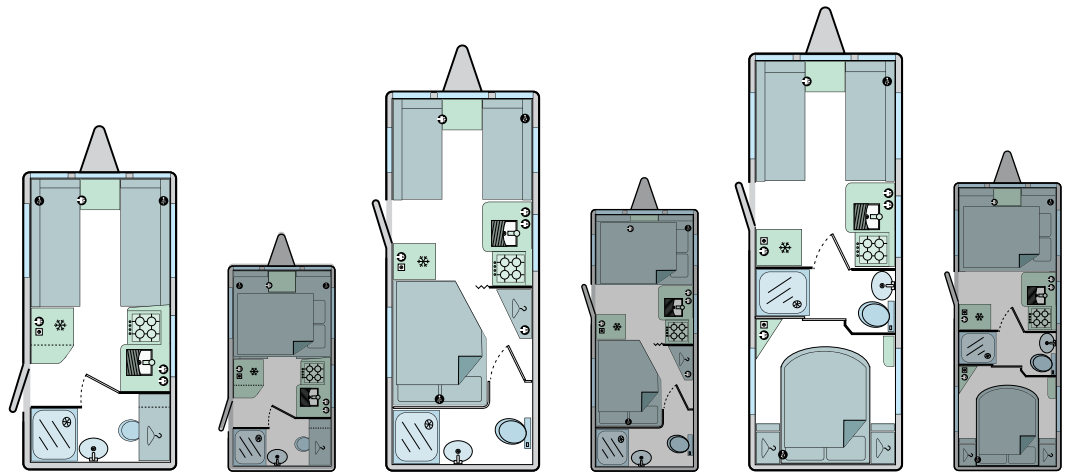
making Bailey caravans accessible to a wider range of tow vehicles and making it more economical to own.

5. Better balanced bodyshell...

makes the caravan inherently more stable enabling it to take even the most demanding journeys in its stride.

6. Cost neutral improvements...

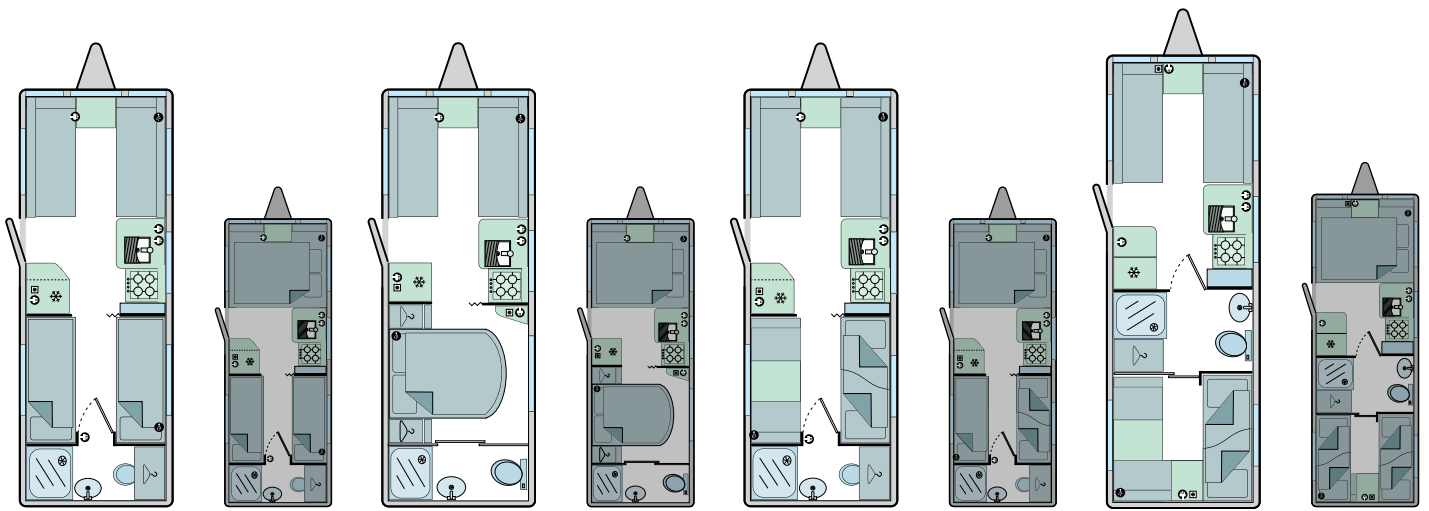
all of the benefits of Alu-Tech come at no extra cost to the customer.



	420	440	640
Berths	2	4	4
Internal Length	4.032m / 13'2"	5.351m / 17'7"	5.841m / 19'2"
Shipping Length	5.564m / 18'3"	6.882m / 22'7"	7.369m / 24'2"
Overall Width	2.212m / 7'3"	2.212m / 7'3"	2.212m / 7'3"
Overall Height	2.624m / 8'7"	2.624m / 8'7"	2.624m / 8'7"
Internal Headroom	1.960m / 6'5"	1.960m / 6'5"	1.960m / 6'5"
Awning Size	857cm	995cm	1035cm
Tyre Size	185/R14C LI104N	185/R14C LI104N	185/R14C LI104N
MTPLM	1161kg	1337kg	1404kg
MRO	1044kg	1187kg	1249kg
Total User Payload	117kg	150kg	155kg

Bed Sizes			
Front Double	6'2" x 4'9"	6'2" x 3'7"	6'2" x 4'7"
Front N/S Single	6'1" x 2'1"	4'11" x 2'1"	5'11" x 2'1"
Front O/S Single	6'1" x 2'1"	4'11" x 2'1"	5'11" x 2'1"
Rear N/S Single	-	-	-
Rear N/S Overhead Single	-	-	-
Rear N/S Fixed Single	-	-	-
Rear O/S Fixed Bunks	-	-	-
Rear O/S Fixed Single	-	-	-
Rear Fixed Double	-	6'3" x 4'4"	6'2" x 4'6"

A tolerance in the MRO has been allowed for in the calculations of Payload Margins. The awning length measurement shown is to be interpreted as a guide only and an enquiry should be made to individual awning manufacturers as to the correct size.



642	644	650	760 (Twin axle)
4	4	5	6
5.841m / 19'2"	5.841m / 19'2"	5.841m / 19'2"	6.334m / 20'9"
7.369m / 24'2"	7.369m / 24'2"	7.369m / 24'2"	7.863m / 25'10"
2.212m / 7'3"	2.212m / 7'3"	2.212m / 7'3"	2.212m / 7'3"
2.624m / 8'7"	2.624m / 8'7"	2.624m / 8'7"	2.624m / 8'7"
1.960m / 6'5"	1.960m / 6'5"	1.960m / 6'5"	1.960m / 6'5"
1035cm	1035cm	1035cm	1079cm
185/R14C LI104N	185/R14C LI104N	185/R14C LI104N	185/65 R14 LI93N
1403kg	1396kg	1409kg	1627kg
1248kg	1241kg	1244kg	1447kg
155kg	155kg	165kg	180kg
6'2" x 4'7"	6'2" x 4'7"	6'2" x 4'7"	6'2" x 4'9"
5'11" x 2'1"	5'11" x 2'1"	5'11" x 2'1"	6'1" x 2'1"
5'11" x 2'1"	5'11" x 2'1"	5'11" x 2'1"	6'1" x 2'1"
-	-	6'2" x 2'3"	5'10" x 2'3"
-	-	-	5'7" x 2'0"
6'2" x 2'2"	-	-	-
-	-	6'1" x 2'2"	6'1" x 2'2"
6'2" x 2'2"	-	-	-
-	6'2" x 4'6"	-	-

Visit www.baileyofbristol.co.uk for equivalent Phoenix metric bed sizes (bed sizes are measured at the widest point of the bed).

ABOUT RAYMOND JAMES CARAVANS

Raymond James Caravans is your first choice for New Bailey Caravans, Quality Used Caravans and Motorhomes, Awnings, Accessories and Servicing.

We are a family run business with over 40 years' experience and one of the largest Outdoor Leisure Businesses in the UK. Our success is founded on an ethos of delivering excellence in customer care. Our NCC Approved 8 acre one stop caravan shop, houses a 12 Bay approved workshop and accident repair centre, a well stock awnings and accessories superstore and an extensive forecourt display with up to 200 caravans in stock, 40 of which are displayed inside our large caravan showroom.



We are authorised stockists of New Bailey Caravans and we also display a full selection of quality used caravans many with up to 3 years warranty included. Delivering quality customer care is at the heart of everything we do, our continuous commitment to our customers' needs extends beyond the initial sale, this ethos has helped our business to grow exponentially over the years.

So whether you are considering caravans, motorhomes, awnings, accessories or servicing then visit us here at Raymond James Caravans. Our friendly knowledgeable team is always on hand to look after you. Everyone welcome.

CONTACT US

Raymond James Caravans Limited

Witherley House,
Carlyon Road,
Atherstone,
Warwickshire,
CV9 1JE

Tel: 02476 474747

Email: general@raymondjamescaravans.co.uk

Website: www.raymondjamescaravans.co.uk

