

PLATINUM



EXCLUSIVE
TO CHIPPING
SOBURY





Everything you need to know about **PLATINUM**

Bailey of Bristol in partnership with Chipping Sodbury Caravans is delighted to announce the arrival of the all-new Platinum, a touring caravan range that offers you the best-possible combination of comfort, practicality and value.

Exclusive to Chipping Sodbury Caravans, the Platinum comes with a host of additional features that make your time away in these special caravans as relaxing and enjoyable as possible. Notably these include a Truma 100w solar panel, TRACKER PIR activated intruder alarm, an exterior BBQ point & 230v socket, bespoke soft furnishing & graphics schemes – plus much more, all included as standard specification.



Model shown: Platinum 642

Bespoke caravan bedding sets to co-ordinate with caravan soft furnishings available as a cost option

As with all Bailey leisure vehicles, models are built using our patented Alu-Tech construction technology, cloaked in a GRP outer skin, making them more robust, more durable and yet lighter than those manufactured using conventional methods to offer greater protection against the elements to keep you comfortable, safe and secure all year round.

Available in a choice of seven different layouts, including one twin axle option, the new Platinum truly has something for everyone

Enjoy your holiday your way.

YOUR HOLIDAY
your way



1. Truma gas BBQ point
2. Exterior 230v socket and 230v power inlet for mains hook-up
3. Truma 100 watt solar panel
4. Hartal GRP skin two-part large aperture door with window, waste bin and dustpan & brush
5. Thetford Caprice combined oven, grill and hob with electronic ignition and flame failure device
6. Drop-down kitchen worktop extension

7. TRACKER PIR activated intruder alarm
8. Bespoke Platinum entrance door mat
9. Bespoke Platinum graphics scheme
10. Bespoke Platinum soft furnishings
11. Swan-neck kitchen mixer tap
12. Remis pleated flyscreen and blinds to principal windows

13. The Platinum comes with
14. The Platinum also includes



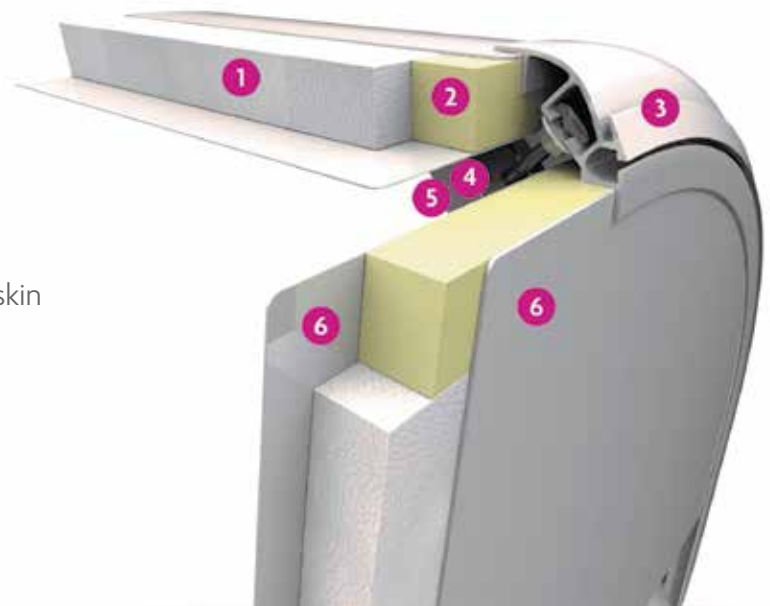


Alu-Tech is Bailey's patented construction system. Using an interlocking aluminium framework to clamp the body panels together, Bailey has created a shell that is much more robust and durable than anything that has come before.

To date, over 50,000 Bailey leisure vehicles have been built with this fully patented technology and are currently being used and enjoyed around the world.



1. Polystyrene core
2. Composite plastic extrusion
3. Alu-Tech rail
4. Structural fixing bracket
5. Alu-Tech rail insulation
6. GRP (glass reinforced plastic) outer and inner skin



A 50,000 Alu-Tech

How is Alu-Tech better?

1. Increased strength and durability...

giving you greater protection against the elements to keep you comfortable, safe and secure all year round.

2. Improved insulation...

keeping you warmer in the winter and cooler in the summer allowing you to holiday whenever and wherever you want.

3. Improved protection...

greater resistance to the elements increases the longevity of the vehicle and provides additional peace of mind to the owner.

4. Lighter bodyshell...

making Bailey caravans accessible to a wider range of tow vehicles and making it more economical to own.

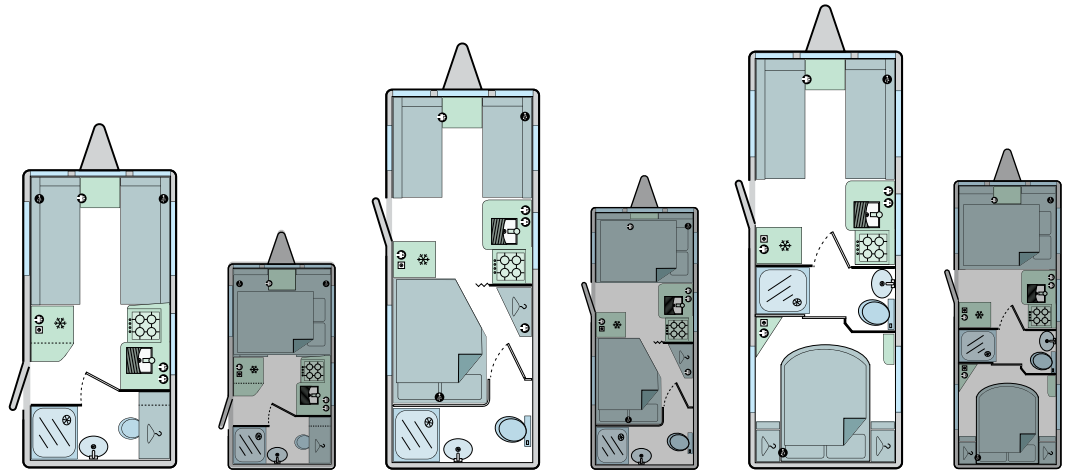
5. Better balanced bodyshell...

makes the caravan inherently more stable enabling it to take even the most demanding journeys in its stride.

6. Cost neutral improvements...

all of the benefits of Alu-Tech come at no extra cost to the customer.

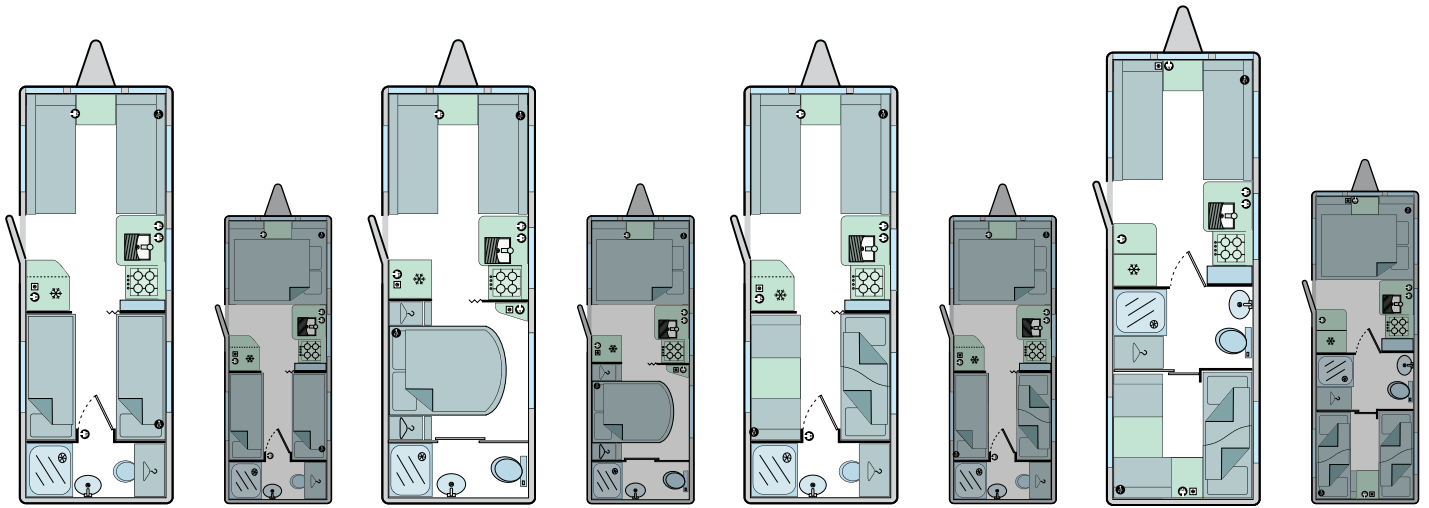
PLATINUM



| | 420 | 440 | 640 |
|--------------------|-----------------|-----------------|-----------------|
| Berths | 2 | 4 | 4 |
| Internal Length | 4.032m / 13'2" | 5.351m / 17'7" | 5.841m / 19'2" |
| Shipping Length | 5.564m / 18'3" | 6.882m / 22'7" | 7.369m / 24'2" |
| Overall Width | 2.212m / 7'3" | 2.212m / 7'3" | 2.212m / 7'3" |
| Overall Height | 2.624m / 8'7" | 2.624m / 8'7" | 2.624m / 8'7" |
| Internal Headroom | 1.960m / 6'5" | 1.960m / 6'5" | 1.960m / 6'5" |
| Awning Size | 857cm | 995cm | 1035cm |
| Tyre Size | 185/R14C LI104N | 185/R14C LI104N | 185/R14C LI104N |
| MTPLM | 1168kg | 1344kg | 1411kg |
| MRO | 1051kg | 1194kg | 1256kg |
| Total User Payload | 117kg | 150kg | 155kg |

| Bed Sizes | | | |
|--------------------------|-------------|--------------|--------------|
| Front Double | 6'2" x 4'9" | 6'2" x 3'7" | 6'2" x 4'7" |
| Front N/S Single | 6'1" x 2'1" | 4'11" x 2'1" | 5'11" x 2'1" |
| Front O/S Single | 6'1" x 2'1" | 4'11" x 2'1" | 5'11" x 2'1" |
| Rear N/S Single | - | - | - |
| Rear N/S Overhead Single | - | - | - |
| Rear N/S Fixed Single | - | - | - |
| Rear O/S Fixed Bunks | - | - | - |
| Rear O/S Fixed Single | - | - | - |
| Rear Fixed Double | - | 6'3" x 4'4" | 6'2" x 4'6" |

A tolerance in the MRO has been allowed for in the calculations of Payload Margins. The awning length measurement shown is to be interpreted as a guide only and an enquiry should be made to individual awning manufacturers as to the correct size.



| 642 | 644 | 650 | 760 (Twin axle) |
|-----------------|-----------------|-----------------|------------------|
| 4 | 4 | 5 | 6 |
| 5.841m / 19'2" | 5.841m / 19'2" | 5.841m / 19'2" | 6.334m / 20'9" |
| 7.369m / 24'2" | 7.369m / 24'2" | 7.369m / 24'2" | 7.863m / 25'10" |
| 2.212m / 7'3" | 2.212m / 7'3" | 2.212m / 7'3" | 2.212m / 7'3" |
| 2.624m / 8'7" | 2.624m / 8'7" | 2.624m / 8'7" | 2.624m / 8'7" |
| 1.960m / 6'5" | 1.960m / 6'5" | 1.960m / 6'5" | 1.960m / 6'5" |
| 1035cm | 1035cm | 1035cm | 1079cm |
| 185/R14C LI104N | 185/R14C LI104N | 185/R14C LI104N | 185/65 R14 LI93N |
| 1410kg | 1403kg | 1416kg | 1634kg |
| 1255kg | 1248kg | 1251kg | 1454kg |
| 155kg | 155kg | 165kg | 180kg |
| 6'2" x 4'7" | 6'2" x 4'7" | 6'2" x 4'7" | 6'2" x 4'9" |
| 5'11" x 2'1" | 5'11" x 2'1" | 5'11" x 2'1" | 6'1" x 2'1" |
| 5'11" x 2'1" | 5'11" x 2'1" | 5'11" x 2'1" | 6'1" x 2'1" |
| - | - | 6'2" x 2'3" | 5'10" x 2'3" |
| - | - | - | 5'7" x 2'0" |
| 6'2" x 2'2" | - | - | - |
| - | - | 6'1" x 2'2" | 6'1" x 2'2" |
| 6'2" x 2'2" | - | - | - |
| - | 6'2" x 4'6" | - | - |

Visit www.baileyofbristol.co.uk for equivalent Phoenix metric bed sizes (bed sizes are measured at the widest point of the bed).

ABOUT CHIPPING SODBURY CARAVANS

Chipping Sodbury Caravans was founded back in 1982 by Mike and Mary Pickford and to this day, is still a family run company. Now in its second generation of family ownership, and under the direction of their son Jamie, they pride themselves that since those early years, they have been able to not just maintain but go on to improve the level of service their customers have enjoyed and come to expect.

If you are looking for a leisure vehicle that suits your needs, it is definitely worth browsing their showroom as the full range of current Bailey Caravans and Motorhomes are nearly always on show, together with a large selection of pre-owned vehicles.



Their accessory shop caters for the needs of new and experienced Caravan and Motorhome users alike, with many of the prices below the manufacturer's RRP, whilst their Approved Workshop offers full service, warranty and repair facilities as well as free estimates for all your insurance and repair work.

With friendly and knowledgeable staff with years of experience, perhaps you should call in and find out why their customers return to The Bailey UK No.1 Dealer time and time again.

CONTACT US

Chipping Sodbury Caravans

Badminton Road,
Chipping Sodbury,
Bristol,
BS37 6LH

Tel: 01454 318374

Website: www.chippingsodburycaravans.co.uk